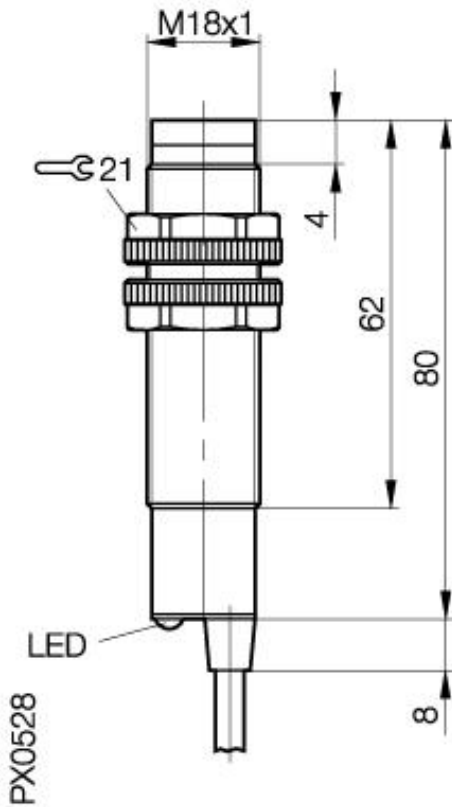


**Photoelectric Sensor**  
**BLS 18K-XX-7P-BO-L-03**  
**Sn=16000mm**  
**through-beam**



**Common Data**

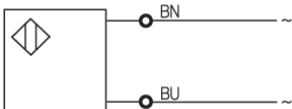
Series	18K
Sensortype	through-beam
Rated operating distance Sn in mm	16000
asured operating distance Sa	16000
Repeat accuracy	< 5% from Sn
Indication Supply Voltage	no
Ambient temperature	-5...+55°C
On-delay	< 50ms
Off-delay	< 50ms
Light	Infrared
Blind zone / min Reflector distance	0

**Mechanical Data**

Measurements	M18x62
Shock	Halfsinus, 30gn, 11ms
Vibration	10...55Hz, 1,5mm Amplitude 3x2h
Housing material	ABS UL 94 V-O
Material of sensing face	PMMA
Degree of protection	IP67
Connection	Cable
Type of Cable	PVC

**Electrical Data**

Current	AC
Rated operational voltage Ue	110V AC
Supply Voltage	20...250V AC
Ripple	-
Frequency of Supply Voltage	50Hz
Rated insulation voltage	250V AC



Utilization categories  
 Insulation class

Datasheet number:

Definitions see general catalog.  
 If not otherwise noted, ratings according to  
 IEC 60947-5-2 (DIN EN60947-5-2)

Balluff GmbH  
 Schurwaldstrasse 9  
 73765 Neuhausen a.d.F.  
 Phone (07158) 173-0 Fax (07158) 5010

Datenblatt by CD-ROM - 04/2007

**BALLUFF**  
 sensors worldwide